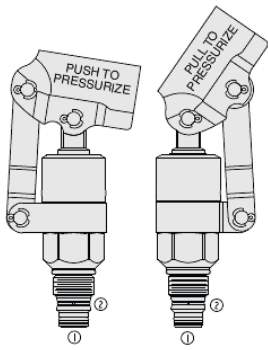




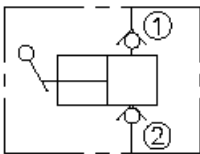
## Overview

### Description

The hp10-21a is a push to pressurize hand pump with two built in checks. It is a screw in, cartridge type hand pump for use with general purpose hydraulic oils. The hand pump beam rotates around the vertical axis for 360° handle positioning. The hand pump CAN be used as an emergency device at electrical power failures.



### Symbol



## Ratings

### Pressure Ratings

Pressure rating	207 bar (3000 psi)	
Suction pressure	193 mm-Hg (7.6 in-Hg)	- <b>Note:</b> Less than atmospheric pressure

### Flow Ratings

Maximum internal leakage	0.25 ml/min (5 drops/min)	- <b>Note:</b> From port 2 to the inside of the pump. Maximum at 207 bar (3000 psi)
--------------------------	---------------------------	---

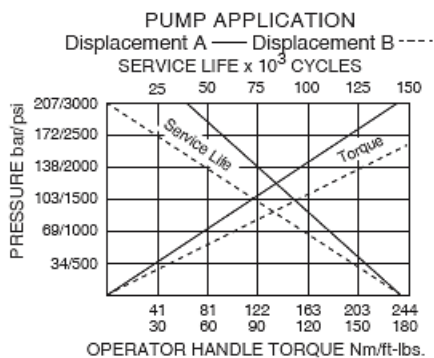
### Temperature Ratings

Operating fluid temperature	-40 to 120 °C (-40 to 248 °F)
-----------------------------	-------------------------------

## Properties

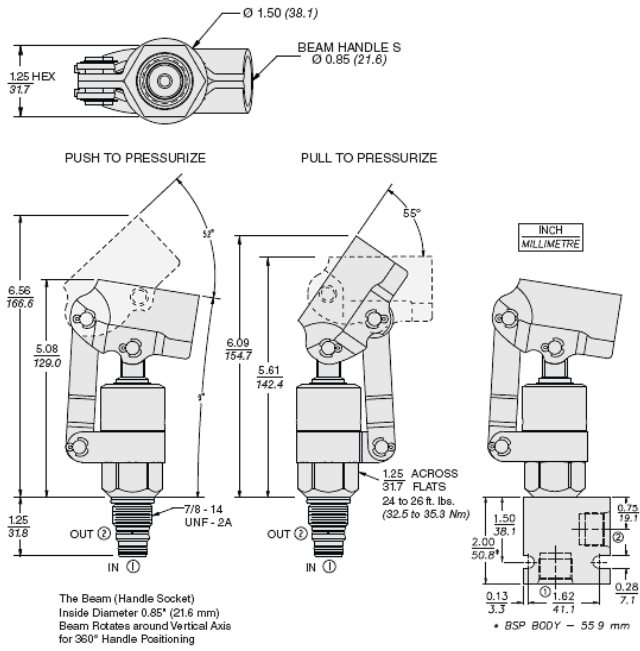
Displacement	7.4 ml (0.45 in <sup>3</sup> )	- <b>Note:</b> Per stroke
Unit weight	0.86 kg (1.9 lb)	- <b>Note:</b> Pump cartridge
	0.18 kg (0.4 lb)	- <b>Note:</b> Body

## Performance





## Dimensions



## Installation Specifications

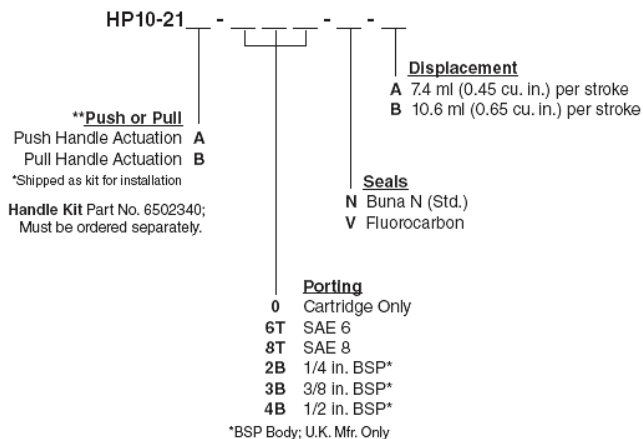
Cavity	
Maximum allowable torque	305 N-m (225 ft-lb)

## Accessories

Accessories	40 cm (16 in) long handle with plastic grip (p/n: 6502340)
Seal kit	SK10-2N-T
Housings	



Order Code



POSITION	CODE	DESCRIPTION
		HP10-21F-H-J-R
F		Actuation Option
F	A	Push to Pressurize
F	B	Pull to Pressurize
H		Line Body
H	0	No Body
H	6T	Aluminum SAE 6
H	8T	Aluminum SAE 8
H	6TD	Ductile Iron SAE 6
H	8TD	Ductile Iron SAE 8
H	2B	Aluminum BSPP 1/4" (2)
H	3B	Aluminum BSPP 3/8" (3)
H	4B	Aluminum BSPP 1/2" (4)
H	4BD	Ductile Iron BSPP 1/2" (4)
J		Seal
J	N	Buna-N
J	V	Fluorocarbon
J	P	Polyurethane
J	U	PPDI Urethane
R		Displacement Option
R	A	0.45 in3 (7.4 ml) per Stroke
R	B	0.65 in3 (10.6 ml) per Stroke